

**EDI-Recommendations
of GS1 Germany
for the
Healthcare Sector
Version 1.1**

Sales Report
(SLSRPT)

EANCOM® 2002 Syntax 3

Introduction.....	2
Business Terms	4
Branching Diagram	6
Message structure	10
Segment Layout.....	11
Used Codes.....	39
Example.....	76

Introduction

Introduction

The aim of the brochure on hand is to offer documentation describing the exchange of purchase order data between business partners.

The basis of this elaboration is the international standard EANCOM® 2002. The message type SLSRPT 007 is used to transmit relevant data. GEFEG.FX (Gefeg mbH, Berlin) was used as the documentation tool.

Please be aware to know that this booklet does not replace the complete specifications in the original chapters or other relevant instructions within the EANCOM® 2002 documentation. Instead, it deals with the description of segments, data elements and codes to be used for a specific task.

The current documentation has been produced by the GS1 Germany GmbH in Cologne. GS1 Germany assumes no liability for any damages incurring from the use of this documentation. This brochure or extracts thereof may only be published or forwarded to third parties with the express written consent of GS1 Germany, which holds copyright on this work.

Important note:

To fulfill the requirements of directive 2003/58/EG, article 4, C058 has been opened in NAD segments identifying a message sender. If the place in the 5 DE 3124 is not sufficient, the following RFF segments can be used, qualified with DE 1153 = GN. DE 1154 has got a capacity of 70 digits. Only in those cases, when no RFF segment follows NAD, a RFF+GN can be used in the heading section of the message. Within the EDI recommendations of GS1 Germany this is only applicable for the messages REMADV and SLSFCT.

This brochure offers different ways to start:

"Introduction" contains a short description of the respective message.

"Business Terms", is a table which links directly to the sequence numbers of the segments.

"Diagram", is a hierarchical graphic depiction of all used segments in the same sequence as they are defined in the EANCOM® message. However, every segment is shown only once, and it is therefore possible that the sequence numbering is interrupted.

"Structure", is a list of all used segments in the same sequence as they are defined in the EANCOM® message. In general, for each piece of information one single segment is provided. Exceptions may arise when the occurrence of a segment is limited and can contain alternative information (e.g., segment BGM).

"Segmentlayout", an illustration that has been chosen to match the business terms (data from the inhouse application) with the elements from the EANCOM® syntax.

"Codes" contains a list of the codes used in the message.

"Examples", provides at least one message example with comments. Please note that, for technical reasons, the examples can contain component data element separators, which would otherwise be represented as data element separators in the original messages.

"Print" opens the PDF documentation for the corresponding message.

The following conventions apply to this brochure:

Introduction

Message structure

Heading section

Specification of buyer and supplier, message date and number.

Detail section

Specification of SSCC to identify shipments and quantity.

Summary section

Specification of totals of the message.

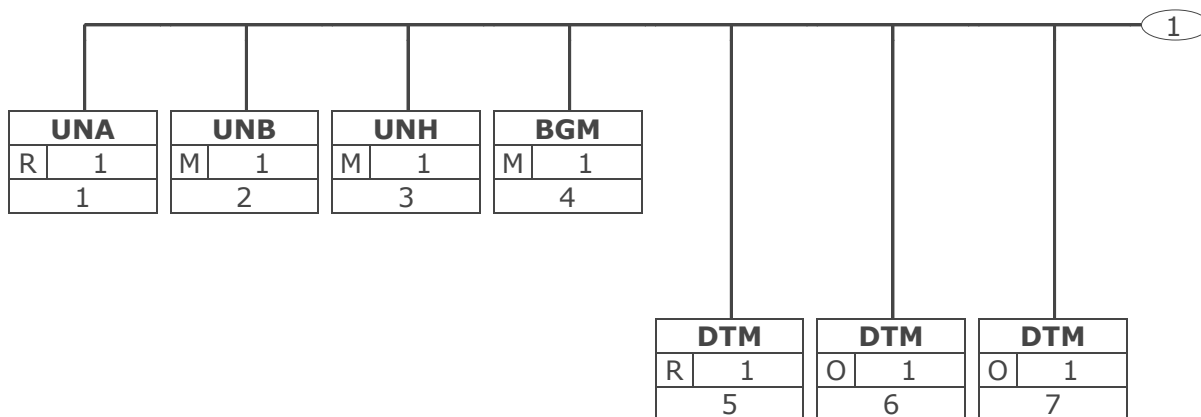
Business Terms

Business Term	EANCOM-Segment		Data Element	
	Seg.-No.	Segment SG	DEG	DE
Acknowledgement request	2	UNB		0031
Address for reverse routing	2	UNB	S002	0008
Application reference	2	UNB		0026
Batch number	21	RFF SG6#1\SG8#1	C506	1154
Buyers article number	18	PIA SG6#1\SG8#1	C212	7140
Buyers article number	19	PIA SG6#1\SG8#1	C212	7140
Character set	2	UNB	S001	0001
Component data element separator	1	UNA		UNA1
Consumption period	14	DTM SG6#1	C507	2380
Creation date	5	DTM	C507	2380
Currency	12	CUX SG5#1	C504	6345
Data element separator	1	UNA		UNA2
Decimal notation	1	UNA		UNA3
Detail and Summary section separation	25	UNS		0081
Document Number	4	BGM	C106	1004
EANCOM	2	UNB		0032
End of the transmission file	27	UNZ		0036
File creation date	2	UNB	S004	0017
File creation time	2	UNB	S004	0019
GTIN Article identification	15	LIN SG6#1\SG8#1	C212	7140
Identification of buyer/message sender	10	NAD SG2#2	C082	3039
Identification of the Removal location	13	LOC SG6#1	C517	3225
Identification of the receiver of the transmission file	2	UNB	S003	0010
Identification of the sender of the transmission file	2	UNB	S002	0004
Interchange control reference, beginning	2	UNB		0020
Interchange control reference, end	27	UNZ		0020
Line item number	15	LIN SG6#1\SG8#1		1082
Message reference number	3	UNH		0062
Number of messages or message groups	27	UNZ		0036
Password interchange	2	UNB	S005	0022
Pharma Zentral Nummer (PZN)	16	PIA SG6#1\SG8#1	C212	7140
Price basis	23	PRI SG6#1\SG8#1\SG9#1	C509	5284
Price indication	23	PRI SG6#1\SG8#1\SG9#1	C509	5118
Rate of exchange	12	CUX SG5#1		5402
Release character	1	UNA		UNA4
Reporting period	8	DTM	C507	2380
Reporting period, end	7	DTM	C507	2380

Business Terms

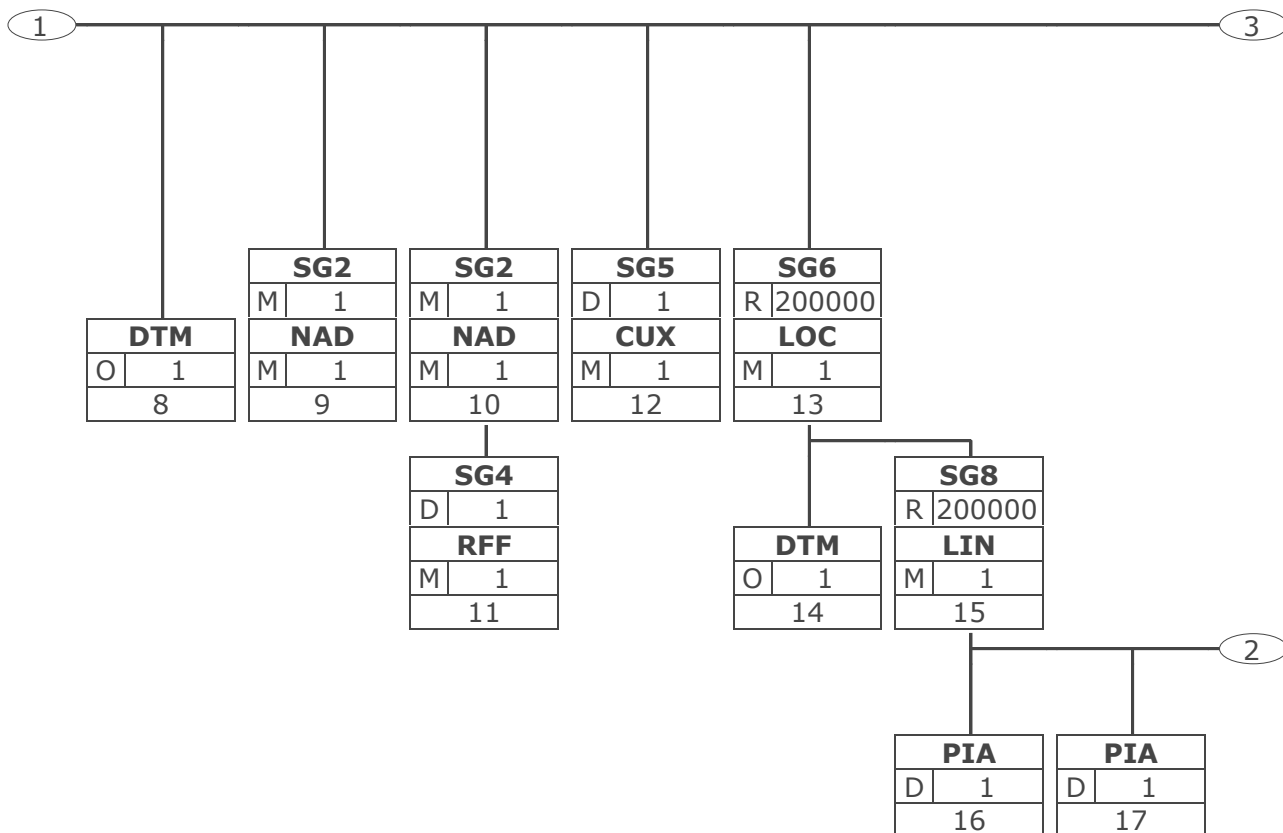
Business Term	EANCOM-Segment		Data Element	
	Seg.-No.	Segment SG	DEG	DE
Reporting period, start	6	DTM	C507	2380
Reserved for future use	1	UNA		UNA5
Routing address	2	UNB	S003	0014
Segment terminator	1	UNA		UNA6
Serial Number	22	RFF SG6#1\SG8#1	C506	1154
Sold quantity	24	QTY SG6#1\SG8#1\ SG10#1	C186	6060
Statements on business letters	11	RFF SG2#2\SG4#1	C506	1154
Supplier/message receiver identification	9	NAD SG2#1	C082	3039
Suppliers article number	17	PIA SG6#1\SG8#1	C212	7140
Suppliers article number (secondary indent.)	20	PIA SG6#1\SG8#1	C212	7140
Syntax version	2	UNB	S001	0002
Test indicator	2	UNB		0035
Total number of segments	26	UNT		0074

Branching Diagram



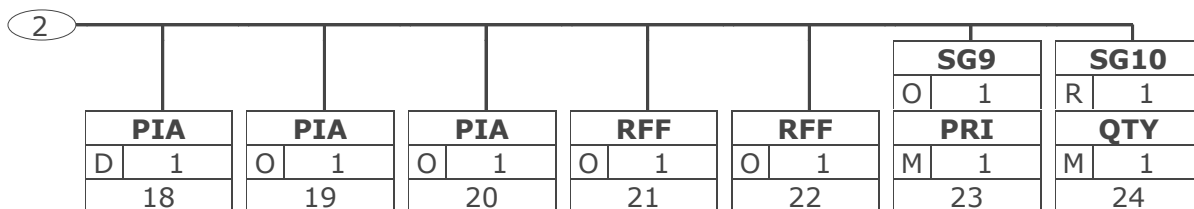
Tag	Tag = Segment/Group Tag	
St	MaxOcc	St = Status (M=Mandatory, C=Conditional, R=Required, O=Optional, A=Advised, D=Dependent)
No	MaxOcc	MaxOcc = Maximum occurrence of the segment/group; No = Consecutive segment number

Branching Diagram



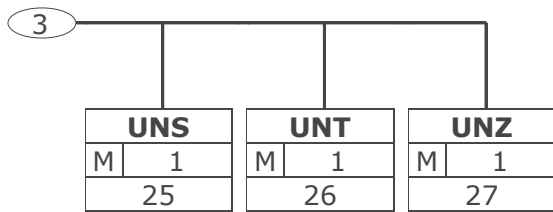
Tag	Tag = Segment/Group Tag
St MaxOcc	St = Status (M=Mandatory, C=Conditional, R=Required, O=Optional, A=Advised, D=Dependent)
No	MaxOcc = Maximum occurrence of the segment/group; No = Consecutive segment number

Branching Diagram



Tag	Tag = Segment/Group Tag
St MaxOcc	St = Status (M=Mandatory, C=Conditional, R=Required, O=Optional, A=Advised, D=Dependent)
No	MaxOcc = Maximum occurrence of the segment/group; No = Consecutive segment number

Branching Diagram



Tag	Tag = Segment/Group Tag
St MaxOcc	St = Status (M=Mandatory, C=Conditional, R=Required, O=Optional, A=Advised, D=Dependent)
No	MaxOcc = Maximum occurrence of the segment/group; No = Consecutive segment number

Message Structure

Seg.	No.	Status	Max Occ	Segment
UNA	1	R	1	Used character set
UNB	2	M	1	Beginning of transmission file
Heading Section				
UNH	3	M	1	Beginning of message
BGM	4	M	1	Document number
DTM	5	R	1	Creation date
DTM	6	O	1	Reporting period, start
DTM	7	O	1	Reporting period, end
DTM	8	O	1	Reporting period
SG2		M	1	NAD
NAD	9	M	1	Identification of supplier/receiver
SG2		M	1	NAD-SG4
NAD	10	M	1	Identification of buyer/sender
SG4		D	1	RFF
RFF	11	M	1	Statements on business letters
SG5		D	1	CUX
CUX	12	M	1	Currency
Detail section				
SG6		R	200000	LOC-DTM-SG8
LOC	13	M	1	Identification of Removal location / consumption
DTM	14	O	1	Consumption period
SG8		R	200000	LIN-PIA-PIA-PIA-PIA-PIA-RFF-RFF-SG9-SG10
LIN	15	M	1	GTIN- Article identification
PIA	16	D	1	Product identification without GTIN (PZN)
PIA	17	D	1	Product identification without GTIN (Suppliers article number)
PIA	18	D	1	Product identification without GTIN (Buyers article number)
PIA	19	O	1	Buyers article number (secondary indent.)
PIA	20	O	1	Suppliers article number (secondary indent.)
RFF	21	O	1	Batch number
RFF	22	O	1	Serial Number
SG9		O	1	PRI
PRI	23	M	1	Price indication
SG10		R	1	QTY
QTY	24	M	1	Sold quantity
Summary Section				
UNS	25	M	1	Section control
UNT	26	M	1	End of message
UNZ	27	M	1	End of the transmission file

Max. Occ. = Maximum occurrence of the segment/group, Status: M=Mandatory, C=Conditional, R=Required, O=Optional, A=Advised, D=Dependent

Segment Layout

No. Seg	St	Max. Occ.			
1		R 1	UNA Service string advice		
To define the characters selected for use as delimiters and indicators in the rest of the interchange that follows.					
Business Term	DE	EDIFACT	Format	St	* Description
Component data element separator	UNA1	Component data element separator	an1	M	Default value: ":"
Data element separator	UNA2	Data element separator	an1	M	Default value: "+"
Decimal notation	UNA3	Decimal notation	an1	M	Default value: "."
Release character	UNA4	Release indicator	an1	M	Default value: "?"
Reserved for future use	UNA5	Reserved for future use	an1	M	(Default value: space)
Segment terminator	UNA6	Segment terminator	an1	M	Default value: "' '
<p>Segmentstatus: Mandatory</p> <p>The use of the UNA segment is mandatory, if character set "A" (UNB,DE0001) is not used. For international EDI the use of character set UNOA is recommended. For national (German) EDI the use of UNOC is reasonable because it contains lower case letters and umlauts.</p> <p>Example: UNA:+.?' '</p> <p>The UNA segment contains the default service string characters.</p>					

Max. Occ. = Maximum Occurrence, St = Status, * = Restricted Codes
 Status: M=Mandatory, R=Required, O=Optional, D=Dependent, A=Advised, N=Not used

Segment Layout

No. Seg	St	Max. Occ.				
2	UNB	M 1	Interchange header To start, identify and specify an interchange.			
Business Term	DE	EDIFACT	Format	St	*	Description
	S001	Syntax identifier		M		
Character set	0001	Syntax identifier	a4	M		UNOA UN/ECE level A UNOB UN/ECE level B UNOC UN/ECE level C UNOD UN/ECE level D UNOE UN/ECE level E UNOF UN/ECE level F
Syntax version	0002	Syntax version number	n1	M	*	3 Version 3
	S002	Interchange sender		M		
Indentification of the sender of the transmission file	0004	Sender identification	an..35	M		= Global Location Number (GLN)
	0007	Partner identification code qualifier	an..4	R	*	14 GS1
Address for reverse routing	0008	Address for reverse routing	an..14	O		See note
	S003	Interchange recipient		M		
Indentification of the receiver of the transmission file	0010	Recipient identification	an..35	M		= Global Location Number (GLN)
	0007	Partner identification code qualifier	an..4	R	*	14 GS1
Routing address	0014	Routing address	an..14	O		See note
	S004	Date/time of preparation		M		
File creation date	0017	Date of preparation	n6	M		= Dateformat JJMMTT
File creation time	0019	Time of preparation	n4	M		= Timeformat HHMM
Interchange control reference, beginnig	0020	Interchange control reference	an..14	M		= Unique senders reference
	S005	Recipient's reference, password		O		
Password interchange	0022	Recipient's reference/ password	an..14	M		
	0025	Recipient's reference/ password qualifier	an2	O	*	AA Reference BB Password
Application reference	0026	Application reference	an..14	O		Message type if the transmission fole contains only one message type
	0029	Processing priority code	a1	O	*	A Highest priority
Acknowledgement request	0031	Acknowledgement request	n1	O		
EANCOM	0032	Communications agreement ID	an..35	R		= EANCOM... EDIFACT subset identification (see note)
Test indicator	0035	Test indicator	n1	O	*	1 Interchange is a test

Max. Occ. = Maximum Occurrence, St = Status, * = Restricted Codes
Status: M=Mandatory, R=Required, O=Optional, D=Dependent, A=Advised, N=Not used

Segment Layout

Segmentstatus: Mandatory

For international EDI the use of character set UNOA is recommended. For national (German) EDI the use of UNOC is reasonable because it contains lower case letters and umlauts.

Note DE 0008:

The address for reverse routing is provided by the interchange sender to inform the interchange recipient of the address within the sender's (source) system to which responding interchanges must be sent. It is recommended that the GLN be used for this purpose.

Note DE 0014:

The routing address is used to identify the receiver, if a provider adds service values for the actual receiver (e.g. consolidated companies, corporate group). The use of the identification system (e.g. GLN) has to be agreed bilaterally.

Note DE 0020:

This data element must contain a consistent sequential number per interchange between sender and receiver of the transmission.

Note DE 0032:

This data element is used to identify any underlying agreements which control the exchange of data. Within EANCOM , the identity of such agreements must start with the letters 'EANCOM', the remaining characters within the data element being filled according to bilateral agreements.

Example: UNB+UNOC:3+4012345000009:14:4012345000018+4000004000002:14:4000004000099+101013:1043+4711+REF:AA+++EANCOM+1'

The EANCOM file 4711 dated 13.10.2016, 10 h 43 is sent by the issuer identified with GLN 4012345000009 to the receiver identified with GLN 4000004000002.

Max. Occ. = Maximum Occurrence, St = Status, * = Restricted Codes

Status: M=Mandatory, R=Required, O=Optional, D=Dependent, A=Advised, N=Not used

Segment Layout

No. Seg	St	Max. Occ.				
3	UNH	M 1	Message header To head, identify and specify a message.			
Business Term	DE	EDIFACT	Format	St	*	Description
Message reference number	0062	Message reference number	an..14	M		Sender's unique message reference. Sequence number of messages in the interchange. DE 0062 in UNT will have the same value. Generated by the sender.
	S009	Message identifier		M		
	0065	Message type	an..6	M	*	SLSRPT Sales data report message
	0052	Message version number	an..3	M	*	D Draft version/ UN/EDIFACT Directory
	0054	Message release number	an..3	M	*	01B Release 2001 - B
	0051	Controlling agency	an..2	M	*	UN UN/CEFACT
	0057	Association assigned code	an..6	R	*	EAN007 GS1 version control number (GS1 Permanent Code)
<p>Segmentstatus: Mandatory This segment is used to head, identify and specify a message. The Association assigned code was increased by 1 because the UNS segment was added.</p> <p>Example: UNH+ME000001+SLSRPT:D:01B:UN:EAN007' The reference number of the SLSRPT message is ME000001.</p>						

Max. Occ. = Maximum Occurrence, St = Status, * = Restricted Codes
Status: M=Mandatory, R=Required, O=Optional, D=Dependent, A=Advised, N=Not used

Segment Layout

No. Seg	St	Max. Occ.				
4	BGM	M 1	Beginning of message To indicate the type and function of a message and to transmit the identifying number.			
Business Term	DE	EDIFACT	Format	St	* Description	
	C002	Document/message name		R		
	1001	Document name code	an..3	R	* 73E Sales data report (GS1 Temporary Code)	
	C106	Document/message identification		R		
Document Number	1004	Document identifier	an..35	R	Document number assigned by sender	
	1225	Message function code	an..3	R	* 1 Cancellation 2 Addition 5 Replace 6 Confirmation 9 Original 31 Copy	
<p>Segmentstatus: Mandatory This segment is used to indicate the type and function of a message and to transmit the identifying number. All references other than the document number DE 1004 are to be put in the RFF segment. Example: BGM+73E+87441+9' The document number is 87441.</p>						

Max. Occ. = Maximum Occurrence, St = Status, * = Restricted Codes
 Status: M=Mandatory, R=Required, O=Optional, D=Dependent, A=Advised, N=Not used

Segment Layout

No.	Seg	St	Max.	Occ.			
5	DTM	R	1		Date/time/period To specify date, and/or time, or period.		
Business Term	DE	EDIFACT	Format	St	*	Description	
	C507	Date/time/period		M			
	2005	Date or time or period function code qualifier	an..3	M	*	137 Document/ message date/ time	
Creation date	2380	Date or time or period value	an..35	R			
	2379	Date or time or period format code	an..3	R		102 CCYYMMDD 203 CCYYMMDDHHMM	
<p>Segmentstatus: Mandatory Identification of the 'Document/message date/time' (code value 137) is mandatory in the invoice message.</p> <p>Example: <code>DTM+137:20160823:102'</code> The document date is the 23th of August 2016.</p> <p>Example: <code>DTM+137:201608230800:203'</code> The document date is the 23th of August 2016, 8 o'clock.</p>							

Max. Occ. = Maximum Occurrence, St = Status, * = Restricted Codes
 Status: M=Mandatory, R=Required, O=Optional, D=Dependent, A=Advised, N=Not used

Segment Layout

No.	Seg	St	Max. Occ.			
6	DTM	O	1	Date/time/period To specify date, and/or time, or period.		
Business Term	DE	EDIFACT	Format	St	*	Description
	C507	Date/time/period		M		
	2005	Date or time or period function code qualifier	an..3	M	*	90 Report start date
Reporting period, start	2380	Date or time or period value	an..35	R		
	2379	Date or time or period format code	an..3	R		102 CCYYMMDD 203 CCYYMMDDHHMM 615 YYWW
Segmentstatus: Optional DTM segment is used to specify date, and/or time, or period. Example: DTM+90:20161201:102 ' 1th of December 2016 is the start date of the reporting period.						

Max. Occ. = Maximum Occurrence, St = Status, * = Restricted Codes
 Status: M=Mandatory, R=Required, O=Optional, D=Dependent, A=Advised, N=Not used

Segment Layout

No.	Seg	St	Max. Occ.			
7	DTM	O	1	Date/time/period To specify date, and/or time, or period.		
Business Term	DE	EDIFACT	Format	St	*	Description
	C507	Date/time/period		M		
	2005	Date or time or period function code qualifier	an..3	M	*	91 Report end date
Reporting period, end	2380	Date or time or period value	an..35	R		
	2379	Date or time or period format code	an..3	R		102 CCYYMMDD 203 CCYYMMDDHHMM 615 YYWW
Segmentstatus: Optional DTM segment is used to specify date, and/or time, or period. Example: DTM+91:20161204:102 ' 4th of December 2016 is the end date of the reporting period.						

Max. Occ. = Maximum Occurrence, St = Status, * = Restricted Codes
 Status: M=Mandatory, R=Required, O=Optional, D=Dependent, A=Advised, N=Not used

Segment Layout

No. Seg	St	Max. Occ.				
8	DTM	O 1	Date/time/period To specify date, and/or time, or period.			
Business Term	DE	EDIFACT	Format	St	*	Description
	C507	Date/time/period		M		
	2005	Date or time or period function code qualifier	an..3	M	*	356 Sales date, and or time, and or period
Reporting period	2380	Date or time or period value	an..35	R		
	2379	Date or time or period format code	an..3	R		718 CCYYMMDD- CCYYMMDD 719 CCYYMMDDHHMM- CCYYMMDDHHMM Format of period to be given in actual message without hyphen.
<p>Segmentstatus: Optional DTM segment is used to specify date, and/or time, or period. This segment can be used alternatively (!) to the 2 previous segments.</p> <p>Example: DTM+356:2016080120160830:718' The reporting period is 1th of August 2016 to 30th of August 2016.</p>						

Max. Occ. = Maximum Occurrence, St = Status, * = Restricted Codes
Status: M=Mandatory, R=Required, O=Optional, D=Dependent, A=Advised, N=Not used

Segment Layout

No.	Seg	St	Max.	Occ.		
9	SG2	M	1		NAD	
	NAD	M	1		Name and address	
To specify the name/address and their related function, either by C082 only and/or unstructured by C058 or structured by C080 thru 3207.						
Business Term	DE	EDIFACT	Format	St	*	Description
	3035	Party function code qualifier	an..3	M	*	SU Supplier
	C082	Party identification details		A		
Supplier/message receiver identification	3039	Party identifier	an..35	M		Global Location Number (GLN) - Format n13
	1131	Code list identification code	an..17	N		
	3055	Code list responsible agency code	an..3	R	*	9 GS1
Segmentstatus: Mandatory The supplier/receiver is identified by GLN. Example: NAD+SU+4089876511111::9' The supplier is identified by GLN 4089876511111.						

Max. Occ. = Maximum Occurrence, St = Status, * = Restricted Codes
 Status: M=Mandatory, R=Required, O=Optional, D=Dependent, A=Advised, N=Not used

Segment Layout

No.	Seg	St	Max. Occ.			
10	SG2	M	1	NAD-SG4		
	NAD	M	1	Name and address		
To specify the name/address and their related function, either by C082 only and/or unstructured by C058 or structured by C080 thru 3207.						
Business Term	DE	EDIFACT	Format	St	*	Description
	3035	Party function code qualifier	an..3	M	*	BY Buyer
	C082	Party identification details		A		
Identification of buyer/ message sender	3039	Party identifier	an..35	M		Global Location Number (GLN)- Format n13
	1131	Code list identification code	an..17	N		
	3055	Code list responsible agency code	an..3	R	*	9 GS1
	C058	Name and address		O		This composite may only be used to fulfill the requirements of directive 2003/58/EG, article 4. If applicable the message sender gets the possibility to give the relevant statements at this place. If C058 ist not sufficient, more declaration can be given in following RFF+GN... segments.
	3124	Name and address description	an..35	N		
	3124	Name and address description	an..35	O		
	3124	Name and address description	an..35	O		
	3124	Name and address description	an..35	O		
	3124	Name and address description	an..35	O		
Segmentstatus: Mandatory The buyer/message sender is identified by GLN. Example: NAD+BY+4071615111110::9+:::X' The buyer is identified by GLN 4071615111110.						

Max. Occ. = Maximum Occurrence, St = Status, * = Restricted Codes
 Status: M=Mandatory, R=Required, O=Optional, D=Dependent, A=Advised, N=Not used

Segment Layout

No.	Seg	St	Max. Occ.				
11	SG2	M	1	NAD-SG4			
	SG4	D	1	RFF			
	RFF	M	1	Reference			
To specify a reference.							
Business Term		DE	EDIFACT	Format	St	*	Description
		C506	Reference		M		
		1153	Reference code qualifier	an..3	M	*	GN Government reference number
Statements on business letters		1154	Reference identifier	an..70	R		
<p>Segmentstatus: Depending This RFF segment may only be used if the preceding NAD has not enough space to fulfill the requirements of directive 2003/58/EG, article 4.</p> <p>Example: RFF+GN:HRB-471111' German statements on business letters: HRB-471111</p>							

Max. Occ. = Maximum Occurrence, St = Status, * = Restricted Codes
 Status: M=Mandatory, R=Required, O=Optional, D=Dependent, A=Advised, N=Not used

Segment Layout

No.	Seg	St	Max.	Occ.		
12	SG5	D	1		CUX	
	CUX	M	1		Currencies	
To specify currencies used in the transaction and relevant details for the rate of exchange.						
Business Term	DE	EDIFACT	Format	St	*	Description
	C504	Currency details		R		
	6347	Currency usage code qualifier	an..3	M	*	2 Reference currency
Currency	6345	Currency identification code	an..3	R		ISO 4217 three alpha EUR Euro
	6343	Currency type code qualifier	an..3	R	*	11 Payment currency
	C504	Currency details		D		
	6347	Currency usage code qualifier	an..3	M	*	3 Target currency
	6345	Currency identification code	an..3	R		ISO 4217 three alpha
	6343	Currency type code qualifier	an..3	R	*	11 Payment currency
	6348	Currency rate value	n..4	O		
Rate of exchange	5402	Currency exchange rate	n..12	D		
<p>Segmentstatus: Depending</p> <p>Segmentstatus: Depending, must only be used if prices or amounts are content of the message.</p> <p>When specifying Reference and Target Currencies for international trade, one occurrence of CUX is all that is required. The reference currency is identified in the first occurrence of composite C504, with the target currency specified in the second occurrence of C504. The rate of exchange between the two is detailed in DE 5402.</p> <p>Example: CUX+2:EUR:11+3:USD:11+0.90243'</p> <p>The basic currency is EURO.</p>						

Max. Occ. = Maximum Occurrence, St = Status, * = Restricted Codes
 Status: M=Mandatory, R=Required, O=Optional, D=Dependent, A=Advised, N=Not used

Segment Layout

No.	Seg	St	Max. Occ.				
13	SG6	R	200000	LOC-DTM-SG8			
	LOC	M	1	Place/location identification To identify a place or a location and/or related locations.			
Business Term		DE	EDIFACT	Format	St	*	Description
		3227	Location function code qualifier	an..3	M	*	162 Place or location of sale
		C517	Location identification		A		
Identification of the Removal location		3225	Location name code	an..25	A		Global Location Number (GLN)- Format n13
		1131	Code list identification code	an..17	O		
		3055	Code list responsible agency code	an..3	D	*	9 GS1
<p>Segmentstatus: Mandatory The LOC segment triggers the detail section of the message. Segment group 6 is repeated for every location where sales / consumption are reported. The removal location for which the consumption data are reported is identified by GLN.</p> <p>Example: <code>LOC+162+5099104000221::9'</code> The removal location is identified by GLN 5099104000221.</p>							

Max. Occ. = Maximum Occurrence, St = Status, * = Restricted Codes
 Status: M=Mandatory, R=Required, O=Optional, D=Dependent, A=Advised, N=Not used

Segment Layout

No. Seg	St	Max. Occ.				
14	SG6	R 200000	LOC-DTM-SG8			
	DTM	O 1	Date/time/period			
To specify date, and/or time, or period.						
Business Term	DE	EDIFACT	Format	St	*	Description
	C507	Date/time/period		M		
	2005	Date or time or period function code qualifier	an..3	M	*	356 Sales date, and or time, and or period
Consumption period	2380	Date or time or period value	an..35	R		
	2379	Date or time or period format code	an..3	R		102 CCYYMMDD 203 CCYYMMDDHHMM 718 CCYYMMDD- CCYYMMDD Format of period to be given in actual message without hyphen.
<p>The segment is used to provide a date or period when goods have been sold / removed from the consignment stock , which are identified in the following LIN group (segment group 8). The DTM segment can be used to specify the weekly sales in a monthly report. This segment is not necessary if the date or period is identical with the specification at header level.</p> <p>Example: DTM+356:20161201:102' The date of consumption is 1th of December 2016.</p>						

Max. Occ. = Maximum Occurrence, St = Status, * = Restricted Codes
Status: M=Mandatory, R=Required, O=Optional, D=Dependent, A=Advised, N=Not used

Segment Layout

No.	Seg	St	Max.	Occ.			
15	SG6	R	200000		LOC-DTM-SG8		
	SG8	R	200000		LIN-PIA-RFF-SG9-SG10		
	LIN	M	1		Line item To identify a line item and configuration.		
Business Term		DE	EDIFACT	Format	St	*	Description
Line item number		1082	Line item identifier	an..6	R		Application generated number of the item lines within the message
		1229	Action request/ notification description code	an..3	N		
		C212	Item number identification		D		
GTIN Article identification		7140	Item identifier	an..35	R		GTIN, Format n..14
		7143	Item type identification code	an..3	R	*	SRV GS1 Global Trade Item Number
<p>Segmentstatus: Mandatory In this segment the GTIN is indicated as item identification. Example: LIN+1++4056786542381:SRV' The product for that sales are being reported is identified by GTIN 4056786542381.</p>							

Max. Occ. = Maximum Occurrence, St = Status, * = Restricted Codes
 Status: M=Mandatory, R=Required, O=Optional, D=Dependent, A=Advised, N=Not used

Segment Layout

No. Seg	St	Max. Occ.				
16	SG6	R 200000	LOC-DTM-SG8			
	SG8	R 200000	LIN-PIA-RFF-SG9-SG10			
	PIA	D 1	Additional product id			
To specify additional or substitutional item identification codes.						
Business Term	DE	EDIFACT	Format	St	*	Description
	4347	Product identifier code qualifier	an..3	M	*	5 Product identification
	C212	Item number identification		M		
Pharma Zentral Nummer (PZN)	7140	Item identifier	an..35	R		
	7143	Item type identification code	an..3	R	*	PZN = Pharma Zentral Nummer (central allocated article number for pharma products)
	1131	Code list identification code	an..17	O		
	3055	Code list responsible agency code	an..3	D	*	246 GS1 Germany
<p>Segmentstatus: Mandatory, if LIN segment does not provide a GTIN, otherwise segment is not used.</p> <p>This segment is only used, if LIN segment does not provide a GTIN. It than must follow the LIN segment immediatly. In this case LIN segment (mandatory) only provides the line item number. Identification of the article is done by use of the PZNR in this PIA segment, DE 4347 is filled with "5" for primary identification.</p> <p>Example: PIA+5+1500549:PZN: :246'</p> <p>Only if LIN does not provide a GTIN: Articleidentification in PIA - in this case with the PZN</p>						

Max. Occ. = Maximum Occurrence, St = Status, * = Restricted Codes
 Status: M=Mandatory, R=Required, O=Optional, D=Dependent, A=Advised, N=Not used

Segment Layout

No.	Seg	St	Max. Occ.			
17	SG6	R	200000	LOC-DTM-SG8		
	SG8	R	200000	LIN-PIA-RFF-SG9-SG10		
	PIA	D	1	Additional product id		
To specify additional or substitutional item identification codes.						
Business Term	DE	EDIFACT	Format	St	*	Description
	4347	Product identifier code qualifier	an..3	M	*	5 Product identification
	C212	Item number identification		M		
Suppliers article number	7140	Item identifier	an..35	R		Article number
	7143	Item type identification code	an..3	R	*	SA Supplier's article number
	1131	Code list identification code	an..17	N		
	3055	Code list responsible agency code	an..3	C		9 GS1 91 Assigned by supplier or supplier's agent 92 Assigned by buyer or buyer's agent
<p>Segmentstatus: Mandatory, if LIN segment does not provide a GTIN, otherwise segment is not used.</p> <p>This segment is only used, if LIN segment does not provide a GTIN. It than must follow the LIN segment immediatly. In this case LIN segment (mandatory) only provides the line item number. Identification of the article is done by use of the Suppliers article number in this PIA segment, DE 4347 is filled with "5" for primary identification.</p> <p>Example: PIA+5+ADC157898:SA::91' Only if LIN does not provide GTIN: Articleidentification in PIA</p>						

Max. Occ. = Maximum Occurrence, St = Status, * = Restricted Codes
 Status: M=Mandatory, R=Required, O=Optional, D=Dependent, A=Advised, N=Not used

Segment Layout

No.	Seg	St	Max. Occ.			
18	SG6	R	200000	LOC-DTM-SG8		
	SG8	R	200000	LIN-PIA-RFF-SG9-SG10		
	PIA	D	1	Additional product id		
To specify additional or substitutional item identification codes.						
Business Term	DE	EDIFACT	Format	St	*	Description
	4347	Product identifier code qualifier	an..3	M	*	5 Product identification
	C212	Item number identification		M		
Buyers article number	7140	Item identifier	an..35	R		Article number
	7143	Item type identification code	an..3	R	*	IN Buyer's item number
	1131	Code list identification code	an..17	N		
	3055	Code list responsible agency code	an..3	C		9 GS1 91 Assigned by supplier or supplier's agent 92 Assigned by buyer or buyer's agent
<p>Segmentstatus: Mandatory, if LIN segment does not provide a GTIN, otherwise segment is not used.</p> <p>This segment is only used, if LIN segment does not provide a GTIN. It than must follow the LIN segment immediatly. In this case LIN segment (mandatory) only provides the line item number. Identification of the article is done by use of the Buyers article number in this PIA segment, DE 4347 is filled with "5" for primary identification.</p> <p>Example: <code>PIA+5+ADC157898:IN::91'</code> Only if LIN does not provide GTIN: Articleidentification in PIA</p>						

Max. Occ. = Maximum Occurrence, St = Status, * = Restricted Codes
 Status: M=Mandatory, R=Required, O=Optional, D=Dependent, A=Advised, N=Not used

Segment Layout

No.	Seg	St	Max.	Occ.	
19	SG6	R	200000		LOC-DTM-SG8
	SG8	R	200000		LIN-PIA-RFF-SG9-SG10
	PIA	O	1		Additional product id
To specify additional or substitutional item identification codes.					
Business Term	DE	EDIFACT	Format	St	* Description
	4347	Product identifier code qualifier	an..3	M	* 1 Additional identification
	C212	Item number identification		M	
Buyers article number	7140	Item identifier	an..35	R	
	7143	Item type identification code	an..3	R	* IN Buyer's item number
	1131	Code list identification code	an..17	N	
	3055	Code list responsible agency code	an..3	C	* 92 Assigned by buyer or buyer's agent
<p>Segmentstatus: Optional This segment is used to specify additional item identification. Example: PIA+1+4545-54-44:IN::92 ' The buyers article number is 4545-54-44.</p>					

Max. Occ. = Maximum Occurrence, St = Status, * = Restricted Codes
 Status: M=Mandatory, R=Required, O=Optional, D=Dependent, A=Advised, N=Not used

Segment Layout

No. Seg	St	Max. Occ.				
20	SG6	R 200000	LOC-DTM-SG8			
	SG8	R 200000	LIN-PIA-RFF-SG9-SG10			
	PIA	O 1	Additional product id			
To specify additional or substitutional item identification codes.						
Business Term	DE	EDIFACT	Format	St	*	Description
	4347	Product identifier code qualifier	an..3	M	*	1 Additional identification
	C212	Item number identification		M		
Suppliers article number (secondary indent.)	7140	Item identifier	an..35	R		
	7143	Item type identification code	an..3	R	*	SA Supplier's article number
	1131	Code list identification code	an..17	N		
	3055	Code list responsible agency code	an..3	C	*	91 Assigned by supplier or supplier's agent
<p>Segmentstatus: Optional This segment is used to advise the suppliers article number additionally to GTIN. Example: PIA+1+2354-2:SA::91' The suppliers article number is 2354-2.</p>						

Max. Occ. = Maximum Occurrence, St = Status, * = Restricted Codes
 Status: M=Mandatory, R=Required, O=Optional, D=Dependent, A=Advised, N=Not used

Segment Layout

No.	Seg	St	Max.	Occ.			
21	SG6	R	200000		LOC-DTM-SG8		
	SG8	R	200000		LIN-PIA-RFF-SG9-SG10		
	RFF	O	1		Reference		
To specify a reference.							
Business Term		DE	EDIFACT	Format	St	*	Description
		C506	Reference		M		
		1153	Reference code qualifier	an..3	M	*	BT Batch number/lot number
Batch number		1154	Reference identifier	an..70	R		
<p>Segmentstatus: Optional This segment is used to provide any references relating only the current line item.</p> <p>Example: RFF+BT:12-1222-3' The batch number is 12-1222-3.</p>							

Max. Occ. = Maximum Occurrence, St = Status, * = Restricted Codes
 Status: M=Mandatory, R=Required, O=Optional, D=Dependent, A=Advised, N=Not used

Segment Layout

No.	Seg	St	Max.	Occ.	
	SG6	R	200000		LOC-DTM-SG8
	SG8	R	200000		LIN-PIA-RFF-SG9-SG10
22	RFF	O	1		Reference
To specify a reference.					
Business Term	DE	EDIFACT	Format	St	* Description
	C506	Reference		M	
	1153	Reference code qualifier	an..3	M	* SS Seller's reference number
Serial Number	1154	Reference identifier	an..70	R	
Segmentstatus: Optional This segment is used to provide any references relating only the current line item. Example: RFF+SS:12-1444-3' The Serial Number is 12-1444-3.					

Max. Occ. = Maximum Occurrence, St = Status, * = Restricted Codes
 Status: M=Mandatory, R=Required, O=Optional, D=Dependent, A=Advised, N=Not used

Segment Layout

No. Seg	St	Max. Occ.				
SG6	R	200000	LOC-DTM-SG8			
SG8	R	200000	LIN-PIA-RFF-SG9-SG10			
SG9	O	1	PRI			
23 PRI	M	1	Price details			
To specify price information.						
Business Term	DE	EDIFACT	Format	St	*	Description
	C509	Price information		R		
	5125	Price code qualifier	an..3	M	*	AAA Calculation net - Note 1 AAB Calculation gross - Note 2 AAE Information price, excluding allowances or charges, including taxes - Note 3
Price indication	5118	Price amount	n..15	R		
	5375	Price type code	an..3	O		
	5387	Price specification code	an..3	O	*	AP Advice price RTP Retail price SRP Suggested retail price
Price basis	5284	Unit price basis value	n..9	D		Unit price basis value
	6411	Measurement unit code	an..3	D		KGM kilogram LTR litre For more code see EANCOM codeslist.
<p>Segmentstatus: Optional This segment is used to provide the price by which the current article was sold. Note 1: The price stated is the net price including all allowances and charges, and including taxes. Allowances and charges may be stated for information purposes only. Note 2: The price stated is the gross price excluding all allowances, charges and taxes. Allowances and charges must be stated and used for net calculation purposes. Note 3: For transmission of the price as an information price the preceding MOA segment is used with qualifier 402 in DE 5025. Data elements 5284 and 6411 are used when a product is a variable quantity product, e.g. price per 200 kilos, or when the unit of measure for purchasing, delivery, and invoicing are different for a product, e.g. sugar is not a variable quantity product but ordered and delivered in packs, and invoiced in kilos or tonnes.</p> <p>Example: PRI+AAE:12.45::AP:1:KGM' The retail price is 12,45.</p>						

Max. Occ. = Maximum Occurrence, St = Status, * = Restricted Codes
 Status: M=Mandatory, R=Required, O=Optional, D=Dependent, A=Advised, N=Not used

Segment Layout

No.	Seg	St	Max.	Occ.	
	SG6	R	200000		LOC-DTM-SG8
	SG8	R	200000		LIN-PIA-RFF-SG9-SG10
	SG10	R	1		QTY
24	QTY	M	1		Quantity
To specify a pertinent quantity.					
Business Term	DE	EDIFACT	Format	St	* Description
	C186	Quantity details		M	
	6063	Quantity type code qualifier	an..3	M	* 153 Statistical sales quantity
Sold quantity	6060	Quantity	an..35	M	Use only numeric values.
	6411	Measurement unit code	an..3	D	KGM kilogram KWT kilowatt For more code see EANCOM codeslist.
<p>Segmentstatus: Mandatory</p> <p>The QTY segment is used to specify the sold quantity for the current item, which was identified in the LIN segment.</p> <p>DE 6411 is only used, if the article is a variable quantity article. Default value is piece.</p> <p>Example: QTY+153:24'</p> <p>The current sold quantity is 24.</p>					

Max. Occ. = Maximum Occurrence, St = Status, * = Restricted Codes
 Status: M=Mandatory, R=Required, O=Optional, D=Dependent, A=Advised, N=Not used

Segment Layout

No.	Seg	St	Max.	Occ.		
25	UNS	M	1		Section control	
To separate header, detail and summary sections of a message.						
Notes:						
1. To be used by message designers when required to avoid ambiguities. Mandatory only if specified for the type of message concerned.						
Business Term	DE	EDIFACT	Format	St	*	Description
Detail and Summary section separation	0081	Section identification	a1	M	*	S Detail/summary section separation
Segmentstatus: Mandatory						
This segment is used to identify the break between the message detail and message trailer sections.						
Example: UNS+S'						
Separation of detail- and summary section						

Max. Occ. = Maximum Occurrence, St = Status, * = Restricted Codes
 Status: M=Mandatory, R=Required, O=Optional, D=Dependent, A=Advised, N=Not used

Segment Layout

No. Seg	St	Max. Occ.				
26	UNT	M 1	Message trailer To end and check the completeness of a message.			
Business Term	DE	EDIFACT	Format	St	*	Description
Total number of segments	0074	Number of segments in the message	n..6	M		
	0062	Message reference number	an..14	M		The reference number from the UNH segment must be repeated here.
<p>Segmentstatus: Mandatory This UNT segment is a mandatory UN/EDIFACT segment. It must always be the last segment in the message.</p> <p>Example: UNT+24+ME000001' The message contains 24 segments.</p>						

Max. Occ. = Maximum Occurrence, St = Status, * = Restricted Codes
Status: M=Mandatory, R=Required, O=Optional, D=Dependent, A=Advised, N=Not used

Segment Layout

No.	Seg	St	Max.	Occ.		
27	UNZ	M	1		Interchange trailer To end and check the completeness of an interchange.	
Business Term	DE	EDIFACT	Format	St	*	Description
End of the transmission file Number of messages or message groups	0036	Interchange control count	n..6	M		Number of messages or message groups in the transmission file.
Interchange control reference, end	0020	Interchange control reference	an..14	M		Interchange control reference, identical with UNB DE 0020.
<p>Segmentstatus: Mandatory The UNZ segment is the last segment of the transmission file. Note DE 0036: If functional groups are not used, this is the number of messages within the interchange.</p> <p>Example: UNZ+1+4711' The transmission file contains 1 message.</p>						

Max. Occ. = Maximum Occurrence, St = Status, * = Restricted Codes
 Status: M=Mandatory, R=Required, O=Optional, D=Dependent, A=Advised, N=Not used

Used Codes

0001	Syntax identifier Coded identification of the agency controlling a syntax and syntax level used in an interchange. Notes: 1. a3, upper case, Controlling Agency (e.g. UNO=UN/ECE) and a1 stating level (e.g. A) (which together give UNOA).
UNOA	UN/ECE level A As defined in the basic code table of ISO 646 with the exceptions of lower case letters, alternative graphic character allocations and national or application-oriented graphic character allocations.
UNOB	UN/ECE level B As defined in the basic code table of ISO 646 with the exceptions of alternative graphic character allocations and national or application-oriented graphic character allocations.
UNOC	UN/ECE level C As defined in ISO 8859-1 : Information processing - Part 1: Latin alphabet No. 1.
UNOD	UN/ECE level D As defined in ISO 8859-2 : Information processing - Part 2: Latin alphabet No. 2.
UNOE	UN/ECE level E As defined in ISO 8859-5 : Information processing - Part 5: Latin/Cyrillic alphabet.
UNOF	UN/ECE level F As defined in ISO 8859-7 : Information processing - Part 7: Latin/Greek alphabet.
UNOG	UN/ECE level G As defined in ISO 8859-3 : Information processing - Part 3: Latin alphabet.
UNOH	UN/ECE level H As defined in ISO 8859-4 : Information processing - Part 4: Latin alphabet.
UNOI	UN/ECE level I As defined in ISO 8859-6 : Information processing - Part 6: Latin/Arabic alphabet.
UNOJ	UN/ECE level J As defined in ISO 8859-8 : Information processing - Part 8: Latin/Hebrew alphabet.
UNOK	UN/ECE level K As defined in ISO 8859-9 : Information processing - Part 9: Latin alphabet.

Used Codes

UNOW	UN/ECE level W ISO 10646-1 octet with code extension technique to support UTF-8 (UCS Transformation Format, 8 bit) encoding.
UNOX	UN/ECE level X Code extension technique as defined by ISO 2022 utilising the escape techniques in accordance with ISO 2375.
UNOY	UN/ECE level Y ISO 10646-1 octet without code extension technique.
0002	Syntax version number Version number of the syntax identified in the syntax identifier (0001) Notes: 1. Increments 1 for each version.
3	Version 3 ISO 9735 Amendment 1:1992. GS1 Description: Syntax version number 3. This code can be used with all of the character sets (A, B, C, D, E and F).
0007	Partner identification code qualifier Qualifier referring to the source of codes for the identifiers of interchanging partners. Notes: 1. Used with sender/recipient identification code.
14	GS1 Partner identification code assigned by GS1, an international organization of GS1 Member Organizations that manages the GS1 System.
0025	Recipient's reference/password qualifier Qualifier for the recipient's reference or password. Notes: 1. If specified in IA.
AA	Reference Recipient's reference/password is a reference.
BB	Password Recipient's reference/password is a password.

Used Codes

0029	<p>Processing priority code</p> <p>Code determined by the sender requesting processing priority for the interchange.</p> <p>Notes:</p> <p>1. Used if specified in IA.</p>
A	<p>Highest priority</p> <p>Requested processing priority is the highest.</p>
0031	<p>Acknowledgement request</p> <p>Code determined by the sender for acknowledgement of the interchange.</p> <p>Notes:</p> <p>1. Set = 1 if sender requests acknowledgement, i.e. UNB and UNZ segments received and identified.</p>
1	<p>Requested</p> <p>Acknowledgement is requested.</p>
0035	<p>Test indicator</p> <p>Indication that the interchange is a test.</p> <p>Notes:</p> <p>1. Set = 1 if the interchange is a test. Otherwise not used.</p>
1	<p>Interchange is a test</p> <p>Indicates that the interchange is a test.</p>
0051	<p>Controlling agency</p> <p>Code to identify the agency controlling the specification, maintenance and publication of the message type.</p>
UN	<p>UN/CEFACT</p> <p>United Nations Centre for Trade Facilitation and Electronic Business (UN/CEFACT).</p> <p>GS1 Description:</p> <p>UN Economic Commission for Europe (UN/ECE), Committee on the development of trade (TRADE), Working Party on facilitation of international trade procedures (WP.4).</p>
0052	<p>Message version number</p> <p>Version number of a message type.</p> <p>Notes:</p> <p>1. If UNG/UNE is used, shall be identical in UNG and UNE.</p> <p>The representation of 0052 was specified as n..3 in version 1 of ISO 9735.</p>

Used Codes

D	Draft version/UN/EDIFACT Directory Message approved and issued as a draft message (Valid for directories published after March 1993 and prior to March 1997). Message approved as a standard message (Valid for directories published after March 1997).
0054	Message release number Release number within the current message type version number (0052). Notes: 1. The representation of 0054 was specified as n..3 in version 1 of ISO 9735.
01B	Release 2001 - B Message approved and issued in the second 2001 release of the UNTDID (United Nations Trade Data Interchange Directory).
0057	Association assigned code A code assigned by the association responsible for the design and maintenance of the message type concerned, which further identifies the message.
EAN007	GS1 version control number (GS1 Permanent Code)
0065	Message type Code identifying a type of message and assigned by its controlling agency. Notes: 1. Type of message being transmitted.
SLSRPT	Sales data report message A code to identify the sales data report message. GS1 Description: Message to enable the transmission of sales data related to products or services, such as corresponding location, period, product identification, pricing, monetary amount, quantity, market sector information, sales parties. It enables the recipient to process the information automatically and use it for production, planning, marketing, statistical purposes, etc.
0081	Section identification Separates sections in a message.
S	Detail/summary section separation To qualify the segment UNS, when separating the detail from the summary section of a message.
1001	Document name code Code specifying the document name.

Used Codes

73E	<p>Sales data report (GS1 Temporary Code)</p> <p>A message enabling companies to exchange or report electronically, basic sales data related to products or services, including the corresponding location, time period, product identification, pricing and quantity information. It enables the recipient to process the information automatically and use it for production, marketing or statistical purposes.</p>
1131	<p>Code list identification code</p> <p>Code identifying a user or association maintained code list.</p> <p>Notes: 1. The codes for this data element are provided by the code list responsible agency defined in data element 3055.</p>
23	<p>Clearing house automated payment</p> <p>Self explanatory.</p> <p>Notes: This code value will be removed effective with directory D.04A.</p> <p>GS1 Description: Banking community' automated payment clearing system.</p>
25	<p>Bank identification</p> <p>Code for identification of banks.</p> <p>Notes: This code value will be removed effective with directory D.04A.</p>
106	<p>Incoterms 1980</p> <p>(4110) Code to indicate applicable Incoterm (1980 edition) under which seller undertakes to deliver merchandise to buyer (ICC). Incoterms 1990: use 4053 only.</p> <p>Notes: This code value will be removed effective with directory D.04A.</p>
132	<p>Charge</p> <p>Identification of a type of charge.</p> <p>Notes: This code value will be removed effective with directory D.04A.</p>
154	<p>Bank branch sorting identification</p> <p>Identification of a specific branch of a bank.</p> <p>Notes: This code value will be removed effective with directory D.04A.</p>

Used Codes

157	<p>Clearing code</p> <p>Identification of the responsible bank/clearing house which has cleared or is ordered to do the clearing.</p> <p>Notes: This code value will be removed effective with directory D.04A.</p>
166	<p>Social security identification</p> <p>Code assigned by the authority competent to issue social security identification to identify a person.</p> <p>Notes: This code value will be removed effective with directory D.04A.</p>
174	<p>Citizen identification</p> <p>Self explanatory.</p> <p>Notes: This code value will be removed effective with directory D.04A.</p> <p>GS1 Description: Code issued by national authority competent to issue citizen identification to identify a person.</p>
1E	<p>Incoterms 1990 (GS1 Temporary Code)</p> <p>Incoterms 1990 as published by the International Chamber of Commerce (ICC).</p>
2E	<p>Incoterms 2000 (GS1 Temporary Code)</p> <p>Incoterms 2000 as published by the International Chamber of Commerce (ICC).</p>
3E	<p>Incoterms 2010 (GS1 Temporary Code)</p> <p>Incoterms 2010 as published by the International Chamber of Commerce (ICC).</p>
ADR	<p>Accord Europeen au transport international dangereuses (GS1 Temporary Code)</p> <p>A European agreement concerning the international carriage of dangerous goods by road.</p>
BR	<p>Brand (GS1 Temporary Code)</p> <p>An identifying mark or label on the products of a particular company, or the kind or make of a commodity.</p>
CA	<p>Category (GS1 Temporary Code)</p> <p>A class or division in a scheme of classification.</p>
CO	<p>Colour (GS1 Temporary Code)</p> <p>Description of the colour required/available on the goods.</p>
FL	<p>Flavor (GS1 Temporary Code)</p> <p>The characteristic quality of goods.</p>

Used Codes

HMT	Hazardous material standard text (GS1 Temporary Code) Code indicating agreed standard text on hazardous materials.
LOC	Location Code (GS1 Temporary Code) This is a code to indicate where the EAS tag is located on the Trade Item. Values include On outside of Trade Item, Concealed inside Trade Item, Integrated Inside Trade Item.
OAG	Organic Claim Agency (GS1 Temporary Code) A governing body that creates and maintain standards related to organic products.
OCO	Organic Trade Item Code (GS1 Temporary Code) Used to indicate the organic status of a trade item or of one or more of its components.
OUM	Ordering unit of measure (GS1 Temporary Code) The alternate Unit of Measure of how Trade Items are ordered by the Retailer under one Unit of Measure, but sold under another Unit of Measure.
SRN	Service relation number (GS1 Temporary Code) A number used to identify a database entry which records recurring services, e.g., treatment of a patient in a hospital, usage by a member of a library facilities, etc.
ST	Style (GS1 Temporary Code) Specific or characteristic design in any goods.
SUM	Selling unit of measure (GS1 Temporary Code) Describes the measurement used for selling unit of the Trade Item to the end consumer.
SZ	Size (GS1 Temporary Code) Any of a series of graded classifications of measure into which goods are divided.
SZG	Size Group (GS1 Temporary Code) A description of the variable size that is necessary to uniquely specify the size of the item in conjunction with the nonpackaged size dimension.
TYP	Type Code (GS1 Temporary Code) This is a code to indicate the type of EAS tag located on the Trade Item. Values include Acousto-Magnetic, Electro-Magnetic, Ink or dye, Microwave, Radio Frequency.
X11	Diet Allergen (GS1 Temporary Code) Indication of which dietary or allergen marks that are on the package.
X12	Environment (GS1 Temporary Code) Indication of which environmental marks (e.g. recycling schemes) that are on trade item package.
X13	Ethical (GS1 Temporary Code) Indication of which ethical trading marks that are on the package.

Used Codes

X14	Free Form (GS1 Temporary Code) Indication of which free-from marks that are on the package.
X15	Expiration date (GS1 Temporary Code) Indicates the type of expiration date marked on the packaging.
X16	Nesting Direction (GS1 Temporary Code) Depicts the arrangement of two items that nest together specifically whether they nest against each other or on top of each other.
X17	Package Marks Hygienic (GS1 Temporary Code) Indication of which hygiene markings are present in the product package
X18	Hazardous Components are Removable (GS1 Temporary Code) An indicator if any hazardous components contained within the trade item can easily be separated from the other materials to facilitate product recycling.
X19	Trade Item Has Refuse Obligations (GS1 Temporary Code) Indicates if there are special disposal obligations that apply to the trade item for example INTRASTAT.
X20	Trade Item Is Designed for Easy Disassembly (GS1 Temporary Code) Indicates that the trade item is designed for easy disassembly by recycling facilities using standard industry tools.
X21	Trade Item Is Rigid Plastic Packaging Container (GS1 Temporary Code) Indicates that a product is or is contained in a Rigid Plastic Packaging Container (RPPC) as defined by laws in the target market.
X22	Trade Item Is ROHS Compliant (GS1 Temporary Code) Indicates if the product is compliant with the European Union RoHS Directive.
X23	Trade Item Is Universal Waste (GS1 Temporary Code) Indicates if a product can be considered universal waste.
X24	Trade Item Is Consumer Upgradeable Or Maintainable (GS1 Temporary Code) Indicates if a product can be easily upgraded or have parts replaced by the consumer.
X25	Trade Item Contains Short Chain Chlorinated Paraffins (GS1 Temporary Code) Indicate if the trade item and/or its components contain paints, coatings, plastics or other materials containing short chain chlorinated paraffins (SCCPs).
X26	Trade Item Contains Pesticide (GS1 Temporary Code) Indicates if the trade item is advertised or labelled as a chemical or contains a chemical that is advertised or labelled to kill, repel or prevent the growth of any living organism.
X27	Trade Item Contains Propellant (GS1 Temporary Code) Indicates if a trade item contains a compressed gas or propellant.

Used Codes

X28	Trade Item Contains Polyvinyl Chloride (GS1 Temporary Code) Indicate if product contains Polyvinyl Chloride (PVC), a widely used thermoplastic polymer.
X29	Trade Item Chemical Is Not Intended For Human Consumption (GS1 Temporary Code) Indicates that the trade item is or contains a Liquid, Gel, Paste, Powder, or Flammable solid not intended for human consumption (ingested).
X30	ROHS Compliance Failure Material (GS1 Temporary Code) The material used in the trade item that does not comply with the ROHS Directives
X31	Packaging Terms And Condition (GS1 Temporary Code) Indicates if the packaging given in the described packaging configuration is a rented, exchangeable, against deposit or one way/not reusable.
X32	Warranty Effective Date Type (GS1 Temporary Code) The type of date associated with the warranty trade item usually expressed as an event date for the item for example date of purchase, date of manufacture or date of delivery.
X33	Warranty Type (GS1 Temporary Code)
X35	Warranty Constraint (GS1 Temporary Code)
X36	Seasonal Availability End Date (GS1 Temporary Code) Indicates the end date of the trade item's seasonal availability.
X37	Seasonal Availability Start Date (GS1 Temporary Code) Indicates the start date of the trade item's seasonal availability.
X38	Season Calendar Year (GS1 Temporary Code) This element indicates the calendar year in which the trade item is seasonally available.
X39	Season Parameter (GS1 Temporary Code) Indication of the season, in which the trade item is available.
X40	Trade Item Automatic Power Down is Enabled (GS1 Temporary Code) An indicator whether a product is enabled with auto power down feature when shipped to the customer.
X41	Electrical Usage Agency Code (GS1 Temporary Code) The agency that regulates electrical usage for products within a target market.
X42	Nesting Type (GS1 Temporary Code) Depicts whether a nested item fits inside or over the other item in a nesting relationship.
X43	Display Dimension Type Code (GS1 Temporary Code) Depicts certain display scenarios used for measurement.

Used Codes

X44	<p>Manufacturer Has Take Back Program (GS1 Temporary Code)</p> <p>Indicates if the manufacturer of the trade item offers any take back programs to consumers for the product to be reused, remanufactured or recycled by the manufacturer.</p>
X45	<p>Display Resolution (GS1 Temporary Code)</p> <p>The display resolution of a television or computer display.</p>
X46	<p>Orientation Preference Sequence (GS1 Temporary Code)</p> <p>Depicts the preferred sequence of orientation used to communicate the manufacturers relative preferences of orientation.</p>
X47	<p>Orientation Type (GS1 Temporary Code)</p> <p>Depicts via code a display orientation for a trade item.</p>
X48	<p>Electrical Usage Trade Item Classification Code (GS1 Temporary Code)</p> <p>A classification code value from a product classification scheme provided to drive required information for electrical usage.</p>
X49	<p>Electrical Usage Trade Item Classification Name (GS1 Temporary Code)</p> <p>A classification name from a product classification scheme provided to drive required information for electrical usage.</p>
X50	<p>Electrical Usage SubClassification Code (GS1 Temporary Code)</p> <p>A sub-classification code value from a product classification scheme provided to drive required information for electrical usage.</p>
X51	<p>Electrical Usage SubClassification Name (GS1 Temporary Code)</p> <p>A sub-classification name provided to drive required information for electrical usage.</p>
X52	<p>Confirmation Status Code (GS1 Temporary Code)</p> <p>The CIC Confirmation Code must be of a type of code number that can be generated automatically by a computer system.</p>
X53	<p>Confirmation Status Code Description (GS1 Temporary Code)</p> <p>Provides the code description that matches up with the Code that can possibly be generated automatically by a computer system.</p>
X54	<p>Additional Confirmation Status Description (GS1 Temporary Code)</p> <p>Provides a way to communicate human entered information that may not be covered by the machine to machine codes and descriptions.</p>
X55	<p>Corrective Action (GS1 Temporary Code)</p> <p>Provides the corrective action code to fix the issue that caused the problem.</p>
X56	<p>Expected Corrective Information (GS1 Temporary Code)</p> <p>Provides the expected corrective information via a human entered information that may not be covered by the machine to machine codes.</p>
X57	<p>Electrical Usage Trade Item Classification Agency (GS1 Temporary Code)</p> <p>A classification agency or organisation whose product classification scheme is being provided to drive required information for electrical usage.</p>

Used Codes

X58	ASFIS (GS1 Permanent Code) FAO alphah-3 code list for fish species identification, commercial name & scientific name.
X59	FAO fishing areas (GS1 Permanent Code) FAO fishing areas codelist.
X60	FAO Fishing gear type (GS1 Permanent Code) FAO Fishing gear type codelist.
X61	EU fish quality (GS1 Permanent Code) EU fish quality grade code list (E, A, B, C).
X62	EU fish size (GS1 Permanent Code) EU fish standardized size code list (1, 2, 3, 4, 5 & One_Size).
X63	EU fish presentation (GS1 Permanent Code) EU fish presentation code list (3 or 5 char alpha code).
ZZZ	Mutually defined Self explanatory. Notes: This code value will be removed effective with directory D.04A.

1153

Reference code qualifier
Code qualifying a reference.

BT

Batch number/lot number
Reference number assigned by manufacturer to a series of similar products or goods produced under similar conditions.

GN

Government reference number
A number that identifies a government reference.
GS1 Description:
This code value should not be used to provide the tax identification number for a party (use code VA).

SS

Seller's reference number
Reference number assigned to a transaction by the seller.

1225

Message function code
Code indicating the function of the message.

1

Cancellation
Message cancelling a previous transmission for a given transaction.

Used Codes

2	Addition Message containing items to be added. GS1 Description: Message containing items (e.g. line items, goods items, customs items, equipment items) to be added to a previously sent message or existing data base.
5	Replace Message replacing a previous message.
6	Confirmation Message confirming the details of a previous transmission where such confirmation is required or recommended under the terms of a trading partner agreement.
9	Original Initial transmission related to a given transaction.
31	Copy Indicates that the message is a copy of an original message that has been sent, e.g. for action or information.
2005	Date or time or period function code qualifier Code qualifying the function of a date, time or period.
90	Report start date The date on which a report is to begin.
91	Report end date The date on which a report is to end.
137	Document/message date/time (2006) Date/time when a document/message is issued. This may include authentication.
356	Sales date, and or time, and or period The date, and or time, and or period on which a sale took place.
2379	Date or time or period format code Code specifying the representation of a date, time or period.
2	DDMMYY Calendar date: D = Day; M = Month; Y = Year.
101	YYMMDD Calendar date: Y = Year; M = Month; D = Day.
102	CCYYMMDD Calendar date: C = Century ; Y = Year ; M = Month ; D = Day.

Used Codes

104	MMWW-MMWW	A period of time specified by giving the start week of a month followed by the end week of a month. Data is to be transmitted as consecutive characters without hyphen.
107	DDD	Day's number within a specific year: D = Day.
108	WW	Week's number within a specific year: W = Week.
109	MM	Month's number within a specific year: M = Month.
110	DD	Day's number within is a specific month.
201	YYMMDDHHMM	Calendar date including time without seconds: Y = Year; M = Month; D = Day; H = Hour; M = Minute.
203	CCYYMMDDHHMM	Calendar date including time with minutes: C=Century; Y=Year; M=Month; D=Day; H=Hour; M=Minutes.
204	CCYYMMDDHHMMSS	Calendar date including time with seconds: C=Century;Y=Year; M=Month; D=Day;H=Hour;M=Minute;S=Second.
401	HHMM	Time without seconds: H = Hour; m = Minute.
501	HHMMHHMM	Time span without seconds: H = Hour; m = Minute;.
502	HHMMSS-HHMMSS	Format of period to be given without hyphen.
602	CCYY	Calendar year including century: C = Century; Y = Year.
609	YYMM	Month within a calendar year: Y = Year; M = Month.
610	CCYYMM	Month within a calendar year: CC = Century; Y = Year; M = Month.
615	YYWW	Week within a calendar year: Y = Year; W = Week 1st week of January = week 01.
616	CCYYWW	Week within a calendar year: CC = Century; Y = Year; W = Week (1st week of January = week 01).

Used Codes

713	YYMMDDHHMM-YYMMDDHHMM Format of period to be given in actual message without hyphen.
715	YYWW-YYWW A period of time specified by giving the start week of a year followed by the end week of year (both not including century). Data is to be transmitted as consecutive characters without hyphen.
717	YYMMDD-YYMMDD Format of period to be given in actual message without hyphen.
718	CCYYMMDD-CCYYMMDD Format of period to be given without hyphen.
719	CCYYMMDDHHMM-CCYYMMDDHHMM A period of time which includes the century, year, month, day, hour and minute. Format of period to be given in actual message without hyphen.
720	DHHMM-DHHMM Format of period to be given without hyphen (D=day of the week, 1=Monday; 2=Tuesday; ... 7=Sunday).
801	Year To indicate a quantity of years.
802	Month To indicate a quantity of months.
803	Week To indicate a quantity of weeks.
804	Day To indicate a quantity of days.
805	Hour To indicate a quantity of hours.
806	Minute To indicate a quantity of minutes.
810	Trimester To indicate a quantity of trimesters (three months).
811	Half month To indicate a quantity of half months.
21E	DDHHMM-DDHHMM (GS1 Temporary Code) Format of period to be given in actual message without hyphen.
3035	Party function code qualifier Code giving specific meaning to a party.

Used Codes

BY	Buyer Party to whom merchandise and/or service is sold.
SU	Supplier Party who supplies goods and/or services. GS1 Description: Party which provides service(s) and/or manufactures or otherwise has possession of goods, and consigns or makes them available in trade.
3055	Code list responsible agency code Code specifying the agency responsible for a code list.
2	CEC (Commission of the European Communities) Generic: see also 140, 141, 142, 162. GS1 Description: Commission of the European Communities
3	IATA (International Air Transport Association) The airline industry's international organisation. GS1 Description: International Air Transport Association
5	ISO (International Organization for Standardization) International Organization of Standardization.
6	UN/ECE (United Nations - Economic Commission for Europe) United Nations Economic Commission for Europe.
7	CEFIC (Conseil Europeen des Federations de l'Industrie Chimique) EDI project for chemical industry.
8	EDIFICE Standardised electronic commerce forum for companies with interests in computing, electronics and telecommunications. GS1 Description: EDI Forum for companies with Interest in Computing and Electronics (EDI project for EDP/ADP sector).
9	GS1 GS1 (formerly EAN International), an organisation of GS1 Member Organisations, which manages the GS1 System. GS1 Description: GS1 International.
10	ODETTE Organization for Data Exchange through Tele-Transmission in Europe (European automotive industry project).
17	S.W.I.F.T. Society for Worldwide Interbank Financial Telecommunications s.c.

Used Codes

28	EDITEUR (European book sector electronic data interchange group) Code identifying the pan European user group for the book industry as an organisation responsible for code values in the book industry.
60	Assigned by national trade agency The code list is from a national agency.
65	GS1 France Organisation responsible for GS1 System in France.
68	GS1 Italy Organisation responsible for GS1 System in Italy.
83	US, National Retail Federation The National Retail Federation is the trade association for the general merchandise retailing industry. In addition to providing support and education services, they also maintain and publish standard colour and size codes for the retail industry.
84	DE, BRD (Gesetzgeber der Bundesrepublik Deutschland) German legislature.
86	Assigned by party originating the message Codes assigned by the party originating the message.
87	Assigned by carrier Codes assigned by the carrier.
88	Assigned by owner of operation Assigned by owner of operation (e.g. used in construction).
89	Assigned by distributor Codes assigned by a distributor.
90	Assigned by manufacturer Code assigned by the manufacturer.
91	Assigned by supplier or supplier's agent Codes assigned by a seller or seller's agent. GS1 Description: Code assigned by the supplier or supplier's agent.
92	Assigned by buyer or buyer's agent Codes assigned by a buyer or buyer's agent.
112	US, U.S. Census Bureau The Bureau of the Census of the U.S. Dept. of Commerce.
113	GS1 US Organisation responsible for GS1 System in the USA.
116	US, ANSI ASC X12 American National Standards Institute ASC X12.

Used Codes

131	DE, German Bankers Association German Bankers' Association.
136	GS1 UK Organisation responsible for GS1 System in the UK.
137	AT, Verband oesterreichischer Banken und Bankiers Austrian bankers association.
174	DE, DIN (Deutsches Institut fuer Normung) German standardization institute.
182	US, Standard Carrier Alpha Code (Motor) Organisation maintaining the SCAC lists and transportation operating in North America.
194	AU, AQIS (Australian Quarantine and Inspection Service) Australian Quarantine and Inspection Service.
200	GS1 Netherlands Organisation responsible for GS1 System in the Netherlands.
245	GS1 Denmark Organisation responsible for GS1 System in Denmark.
246	GS1 Germany Organisation responsible for GS1 System in Germany. GS1 Description: German representative of International Article Numbering association (GS1).
260	Ediel Nordic forum A code to identify Ediel Nordic forum, which is an organization standardizing the use of EDI between the participants in the Nordic power market.
281	GS1 Belgium & Luxembourg Organisation responsible for GS1 System in Belgium & Luxembourg.
286	SE, TCO (Tjänstemännen Central Organisation) The Swedish Confederation of Professional Employees.
294	GS1 Austria Organisation responsible for the GS1 System in Austria.
295	AU, Therapeutic Goods Administration Austrialian administration responsible for the regulation of therapeutic goods in Australia. EDIFACT
297	IT, Ufficio IVA Ufficio responsabile gestione partite IVA, Italy (Italian Institute issuing VAT registration numbers). EDIFACT

Used Codes

298	GS1 Spain Organisation responsible for the GS1 System in Spain.
316	GS1 Finland Organisation responsible for the GS1 system in Finland.
317	GS1 Brazil Organisation responsible for the GS1 system in Brazil.
324	GS1 Ireland Organisation responsible for the GS1 system in Ireland.
325	GS1 Russia Organisation responsible for the GS1 system in Russia.
326	GS1 Poland Organisation responsible for the GS1 system in Poland.
327	GS1 Estonia Organisation responsible for the GS1 system in Estonia.
376	PANTONE Color code controlling organisation
400	FAO (Food and Agriculture Organisation) Food and Agriculture Organisation of the United Nations.
CEN	Comite European de Normalisation (GS1 Temporary Code) Comite European de Normalisation.
PMS	Pantone Matching System (GS1 Temporary Code) Pantone Matching System.
RAL	DE, Deutsches Institut fuer Guetesicherung und Kennzeichnung (GS1 Temporary Code)
TGA	AU, Therapeutic Goods Administration (GS1 Temporary Code) Australian administration responsible for the regulation of therapeutic goods in Australia.
X5	IT, Ufficio IVA (GS1 Temporary Code) Ufficio responsabile gestione partite IVA, Italy (Italian Institute issuing VAT registration numbers).
X6	Assigned by logistics service provider (GS1 Temporary Code) Codes assigned by the logistics service provider.
ZZZ	Mutually defined A code assigned within a code list to be used on an interim basis and as defined among trading partners until a precise code can be assigned to the code list.
3227	Location function code qualifier Code identifying the function of a location.

Used Codes

162	Place or location of sale Place or location at which the sale takes place.
4347	Product identifier code qualifier Code qualifying the product identifier.
1	Additional identification Information which specifies and qualifies product identifications.
5	Product identification The item number is for product identification.
5125	Price code qualifier Code qualifying a price. Notes: 1. The code set from data element 5387 may also be used as agreed among trading partners.
AAA	Calculation net The price stated is the net price including allowances/ charges. Allowances/ charges may be stated for information only. GS1 Description: The price stated is the net price including allowances/ charges and excluding taxes. Allowances/charges may be stated for information only.
AAB	Calculation gross The price stated is the gross price to which allowances/charges, if valid, must be applied. GS1 Description: The price stated is the gross price excluding all allowances, charges and taxes. Allowances and charges must be stated and used for net calculation purposes.
AAE	Information price, excluding allowances or charges, including taxes The price stated is for information purposes only and excludes all allowances and charges. Taxes however are included in the price.
5375	Price type code Code specifying the type of price.
AE	Range dependent price A code identifying the price for a specific range of purchase quantities.
CA	Catalogue Code specifying the catalogue price. GS1 Description: The price detailed is the price detailed in the currently referenced catalogue.

Used Codes

CT	Contract Code specifying the contract price. GS1 Description: The price detailed is the price detailed in the currently referenced contract.
DI	Distributor Code specifying the distributor price.
5387	Price specification code Code identifying pricing specification.
AP	Advice price Code specifying an advice price.
RTP	Retail price Price per unit of quantity of a product to be used for retail.
SRP	Suggested retail price Price per unit of quantity of a product suggested for retail.
6063	Quantity type code qualifier Code qualifying the type of quantity.
153	Statistical sales quantity Quantity of goods sold in a specified period.
6343	Currency type code qualifier Code qualifying the type of currency.
11	Payment currency The name or symbol of the monetary unit used for payment.
6345	Currency identification code Code specifying a monetary unit. Notes: 1. Use ISO 4217 three alpha code.
ADP	Andorran Peseta
AED	UAE Dirham
AFA	Afghani
ALL	Lek
AMD	Armenian Dram
ANG	Netherlands Antillian Guilder
AOA	Kwanza
AOK	Kwanza

Used Codes

ARA	Austral
ARS	Argentine Peso
ATS	Schilling
AUD	Australian Dollar
AWG	Aruban Guilder
AZM	Azerbaijani Manat
BAM	Convertible Mark
BBD	Barbados Dollar
BDT	Taka
BEC	Belgian Franc (convertible)
BEF	Belgian Franc
BEL	Belgian Franc (financial)
BGL	Lev
BGN	Bulgarian Lev
BHD	Bahraini Dinar
BIF	Burundi Franc
BMD	Bermudian Dollar (customarily: Bermuda Dollar)
BND	Brunei Dollar
BOB	Boliviano
BOV	Mvdol
BRC	Cruzado
BRL	Brazilian Real
BSD	Bahamian Dollar
BTN	Ngultrum
BUK	Kyat
BWP	Pula
BYB	Belarussian Ruble
BYR	Belarussian Ruble
BZD	Belize Dollar
CAD	Canadian Dollar
CDF	Franc Congolais
CHF	Swiss Franc
CLF	Unidades de Formento

Used Codes

CLP	Chilean Peso
CNY	Yuan Renminbi
COP	Colombian Peso
CRC	Costa Rican Colon
CUP	Cuban Peso
CVE	Cape Verde Escudo
CYP	Cyprus Pound
CZK	Czech Koruna
DEM	Deutsche Mark
DJF	Djibouti Franc
DKK	Danish Krone
DOP	Dominican Peso
DZD	Algerian Dinar
ECS	Sucre
ECV	Unidad de Valor Constante (UVC)
EEK	Kroon
EGP	Egyptian Pound
ERN	Nakfa
ESP	Spanish Peseta
ETB	Ethopian Birr
EUR	Euro GS1 Description: Official monetary unit of the European Union (EU).
FIM	Markka
FJD	Fiji Dollar
FKP	Falkland Islands Pound
FRF	French Franc
GBP	Pound Sterling
GEL	Lari
GHC	Cedi
GIP	Gibraltar Pound
GMD	Dalasi
GNF	Guinea Franc
GRD	Drachma

Used Codes

GTQ	Quetzal
GWP	Guinea-Bissau Peso
GYD	Guyana Dollar
HKD	Honk Kong Dollar
HNL	Lempira
HRD	Croatian Dinar (GS1 Temporary Code)
HRK	Kuna
HTG	Gourde
HUF	Forint
IDR	Rupiah
IEP	Irish Pound
ILS	New Israeli Sheqel
INR	Indian Rupee
IQD	Iraqi Dinar
IRR	Iranian Rial
ISK	Iceland Krona
ITL	Italian Lira
JMD	Jamaican Dollar
JOD	Jordanian Dinar
JPY	Yen
KES	Kenyan Shilling
KGS	Som
KHR	Riel
KMF	Comoro Franc
KPW	North Korean Won
KRW	Won
KWD	Kuwaiti Dinar
KYD	Cayman Islands Dollar
KZT	Tenge
LAK	Kip
LBP	Lebanese Pound
LKR	Sri Lanka Rupee
LRD	Liberian Dollar

Used Codes

LSL	Loti
LTL	Lithuanian Litas
LUC	Luxembourg Franc (convertible)
LUF	Luxembourg Franc
LUL	Luxembourg Franc (financial)
LVL	Latvian Lats
LYD	Libyan Dinar
MAD	Moroccan Dirham
MDL	Moldovan Leu
MGF	Malagasy Franc
MKD	Denar
MNT	Tugrik
MOP	Pataca
MRO	Ouguiya
MTL	Maltese Lira
MUR	Mauritius Rupee
MVR	Rufiyaa
MWK	Kwacha
MXN	Mexican Peso
MXV	Mexican Unidad de Inversion (UDI)
MYR	Malaysian Ringgit
MZM	Metical
NAD	Namibia Dollar
NGN	Naira
NIC	Cordoba
NIO	Cordoba Oro
NLG	Netherlands Guilder
NOK	Norwegian Krone
NPR	Nepalese Rupee
NZD	New Zealand Dollar
OMR	Rial Omani
PAB	Balboa
PEI	Inti

Used Codes

PEN	Nuevo Sol
PGK	Kina
PHP	Philippine Peso
PKR	Pakistan Rupee
PLN	Zloty
PTE	Portuguese Escudo
PYG	Guarani
QAR	Qatari Rial
ROL	Leu
RSD	Serbian Dinar
RUB	Russian Ruble
RWF	Rwanda Franc
SAR	Saudi Riyal
SBD	Solomon Islands Dollar
SCR	Seychelles Rupee
SDD	Sudanese Dinar
SEK	Swedish Krona
SGD	Singapore Dollar
SHP	St. Helena Pound
SIT	Tolar
SKK	Slovak Koruna
SLL	Leone
SOS	Somali Shilling
SRG	Suriname Guilder
STD	Dobra
SVC	El Salvador Colon
SYP	Syrian Pound
SZL	Lilangeni
THB	Baht
TJR	Tajik Ruble
TMM	Manat
TND	Tunisian Dinar
TOP	Pa'anga

Used Codes

TPE	Timor Escudo
TRL	Turkish Lira
TTD	Trinidad and Tobago Dollar
TWD	New Taiwan Dollar
TZS	Tanzanian Shilling
UAH	Hryvnia
UGX	Uganda Shilling
USD	US Dollar
USN	US Dollar (next day)
USS	US Dollar (same day)
UYU	Peso Uruguayo
UZS	Uzbekistan Sum
VEB	Bolivar
VND	Dong
VUV	Vatu
WST	Tala
XAF	CFA Franc BEAC
XAG	Silver
XAU	Gold
XBA	European Composite Unit (EURCO)
XBB	European Monetary Unit (E.M.U.-6)
XBC	European Unit of Account 9 (E.U.A.-9)
XBD	European Unit of Account 17 (E.U.A.-17)
XCD	East Carribean Dollar
XDR	SDR
XEU	European Currency Unit (E.C.U.) (GS1 Temporary Code)
XFO	Gold-Franc
XFU	UIC-Franc
XOF	CFA Franc BCEAO
XPD	Palladium
XPF	CFP Franc
XTS	Code specifically reserved for testing purposes
XXX	For transactions where no currency is involved

Used Codes

YDD	Yemeni Dinar
YER	Yemeni Rial
YUM	New Dinar
YUN	Yugoslavian Dinar (GS1 Temporary Code)
ZAR	Rand
ZMK	Kwacha
ZWD	Zimbabwe Dollar

6347

Currency usage code qualifier
Code qualifying the usage of a currency.

2	Reference currency The currency applicable to amounts stated. It may have to be converted.
3	Target currency The currency which should be used to the target destination of the transaction.

6411

Measurement unit code
Code specifying the unit of measurement.

Notes:

| 1. Recommend use UN/ECE Recommendation 20, Common code.

001	Barrel (205 litres, 45 gallons) (GS1 Temporary Code)
002	Degree days (GS1 Temporary Code)
003	Gigacaloric (GS1 Temporary Code)
04	small spray
23	gram per cubic centimetre GS1 Description: g/cm ³ as a unit of measure for the density of gas. This is necessary for dangerous substance articles for determination of the quantities that can be stored together on the shelf.
25	gram per square centimetre GS1 Description: A measure of weight in terms of gram per square centimetre.
28	kilogram per square metre GS1 Description: Unit of measure expressed in kilogram per square metre.
37	ounce per square foot
59	part per million
64	Pound per square inch, gauge A unit of measure expressed in pound per square inch

Used Codes

2N	decibel
2X	metre per minute GS1 Description: A measure of speed in terms of metres per minute.
4K	milliampere
4L	megabyte GS1 Description: A unit of computer memory equal to 1.048.576 (i.e. 2 power 20) bytes.
4O	microfarad GS1 Description: One millionth of a farad. A farad is the capacitance of a capacitor between the plates of which a potential of 1 volt is created by a charge of 1 Coulomb.
4P	newton per metre
A25	cheval vapeur
A86	gigahertz GS1 Description: Hertz multiplied by 10*9.
A99	Bit A unit of information equal to one binary digit.
ACR	acre GS1 Description: Acre (4840 yd ²)
AD	byte GS1 Description: A unit of information stored in a computer, equal to eight bits.
AMH	ampere hour GS1 Description: Ampere-hour (3,6kC)
AMP	ampere
AMT	Amount (GS1 Temporary Code) A measurement of monetary amount.
ANN	year GS1 Description: The expression of a year as a measure unit.
APX	Troy ounce (31.10348 g) (GS1 Temporary Code)
APZ	Troy ounce or apothecary ounce EDIFACT
ASM	alcoholic strength by mass GS1 Description: Alcoholic strength expressed by mass.

Used Codes

ASU	alcoholic strength by volume GS1 Description: Alcoholic strength expressed by volume.
AV	capsule GS1 Description: Encapsulated dosage form for pharmaceuticals.
B13	Joule per square metre A unit of measure of heat energy expressed in joule per square metre.
B17	Credit A unit of count defining the number of entries made to the credit side of an account.
BAR	bar GS1 Description: A unit of measure equal to 106 dines per square centimeter.
BTU	British thermal unit GS1 Description: British thermal unit (1,055 kilojoules)
C0	call GS1 Description: Unit of measure for telephone calls. Code value is C0 (C Zero).
C60	ohm centimetre GS1 Description: Unit of measure expressed in Ohm centimetre.
C79	Kilovolt Ampere Hour A unit of accumulated energy of 1000 volt amperes over a period of one hour. EDIFACT
CDL	candela GS1 Description: Unit of measure of light intensity.
CEL	degree celsius
CF2	Colony forming unit per gram (GS1 Temporary Code) Colony forming units per gram is a unit of measure for micro-organisms, such as bacteria, in a food item. Micro-organisms form colonies that are be counted under determined conditions
CLT	centilitre GS1 Description: A unit of volume equal to one hundredth of a liter.
CMK	square centimetre
CMQ	cubic centimetre GS1 Description: A system of units for the measurement of volume based on the cubic centimetre.
CMT	centimetre

Used Codes

D19	Square metre kelvin per watt Unit of measure of thermal insulance expressed in square metre kelvin per watt.
D21	square metre per kilogram GS1 Description: Unit of measure expressed in square metre per kilogram.
D32	Terawatt hour A unit of measure expressed in terawatt hour
D5	Kilogram per square centimetre A unit of measure expressed in kilogram per square centimetre
D55	Watt per square metre kelvin Unit of measure of thermal conductance expressed in watt per square metre kelvin.
D68	Number of Words A unit of count defining the number of words. EDIFACT
DAY	day GS1 Description: The expression of a day as a measure unit.
DD	degree GS1 Description: Unit of measure of temperature.
DMQ	cubic decimetre GS1 Description: Unit of measure expressed in cubic decimetre.
DMT	decimetre
DOS	Dose (GS1 Temporary Code) An amount of medicine, etc administered at one time.
DRG	Dragée (GS1 Temporary Code) Number of dragées (coated tablets) contained in the item's package as a measurement unit.
DZN	dozen GS1 Description: A unit of measure of 12 or group of 12.
E09	Milliampere hour A unit of power load delivered at the rate of one thousandth of an ampere over a period of one hour. EDIFACT
E10	Degree day A unit of measure used in meteorology and engineering to measure the demand for heating or cooling over a given period of days. EDIFACT

Used Codes

E11	Gigacalorie A unit of heat energy equal to one thousand million calories. EDIFACT
E27	Dose A unit of count defining the number of doses (dose: a definite quantity of a medicine or drug). EDIFACT
E31	Square metre per litre A unit of count defining the number of square metres per litre. EDIFACT
E32	Litre per hour A unit of count defining the number of litres per hour. EDIFACT
E34	Gigabyte A unit of information equal to 10 E9 bytes.
E37	Pixel A unit of count defining the number of pixels (pixel: picture element).
E38	Megapixel A unit of count equal to 10 E6 (1000000) pixels (picture elements).
E39	Dots per inch A unit of information defining the number of dots per linear inch as a measure of the resolution or sharpness of an image. GS1 Description: synonym: pixels per inch.
EA	each
EV	envelope GS1 Description: A unit of measure pertaining to the number of envelopes.
FAH	degree Fahrenheit
FOT	foot GS1 Description: Foot (0,3048 m)
FP	Pound per square foot A unit of measure expressed in pound per square foot
FTK	Square foot A unit of measure expressed in square foot
FTQ	cubic foot
GL	gram per litre
GLI	gallon (UK) GS1 Description: Gallon (4,546092 dm3)

Used Codes

GM	gram per square metre GS1 Description: Unit of measure of grams per square metre.
GRM	gram
GRO	gross GS1 Description: A unit of measure of 12 dozens.
GV	gigajoule
GWH	gigawatt hour GS1 Description: Gigawatt-hour (1 million kW/h)
H87	Piece A unit of count defining the number of pieces (piece: a single item, article or exemplar). EDIFACT
HLT	hectolitre
HMT	hectometre A unit of linear measure equal to 10 E2 metres.
HTZ	hertz GS1 Description: One cycle per second.
HUR	hour
INH	inch GS1 Description: Inch (25,4 mm)
INK	Square inch A unit of measure expressed in square inch
JM	Megajoule per cubic metre EDIFACT
JOU	joule
K51	Kilocalorie (mean) EDIFACT
KAH	Kilovolt Ampere Hour (GS1 Temporary Code) A unit of measure expressed in Kilovolt Ampere Hour.
KB	kilocharacter
KBA	kilobar
KCL	Kilocalorie (GS1 Temporary Code) Unit of measure for the calorific value of the item (= 1000 cal).
KEL	kelvin
KGM	kilogram

Used Codes

KHZ	kilohertz
KJO	kilojoule
KL	kilogram per metre GS1 Description: A measure of weight in terms of kilogram per metre.
KMH	kilometre per hour GS1 Description: A unit of measure expressed in kilometre per hour.
KMQ	kilogram per cubic metre GS1 Description: A measure of weight in terms of kilogram per cubic metre.
KPA	kilopascal GS1 Description: Unit of measure expressed in kilopascal.
KTM	kilometre
KVA	kilovolt - ampere GS1 Description: A unit of electric power.
KVT	kilovolt
KWH	kilowatt hour
KWT	kilowatt
L2	litre per minute GS1 Description: Unit of measure expressed in litre per minute.
LBR	Pound EDIFACT
LD	Litre per day A unit of measure defining the number of litres per day.
LIH	Litre per hour (GS1 Temporary Code) Unit of measure expressed in litre per hour.
LNE	Printed line count (GS1 Temporary Code) The indication of the count of printed lines included on a paper communication (e.g. telegram) for invoicing purposes.
LTR	litre GS1 Description: Litre (1 dm ³)
LUX	lux GS1 Description: Unit of measure of illumination (it corresponds to the illumination of a surface which normally and uniformly receives a light flow of 1 lumen per square meter).

Used Codes

M4	Monetary value A unit of measure expressed as a monetary amount. EDIFACT
MAL	mega litre
MAW	megawatt
MC	microgram One millionth of a gram.
MCU	millicurie GS1 Description: Unit of measure for radioactivity.
MGM	milligram
MHZ	megahertz
MIN	minute
MLT	millilitre
MMK	square millimetre GS1 Description: A unit to measure a surface equal to one millionth of a quadrate.
MMQ	cubic millimetre GS1 Description: A unit of measure expressed in cubic milimetres.
MMT	millimetre
MON	month GS1 Description: The expression of a month as a measure unit.
MPA	megapascal GS1 Description: A unit of measure expressed in Megapascal.
MQH	Cubic metre per hour A unit of measure defining the number of cubic metres per hour.
MTA	Micro farad (GS1 Temporary Code) One millionth of a farad. A farad is the capacitance of a capacitor between the plates of which a potential of 1 volt is created by a charge of 1 Coulomb.
MTK	square metre
MTQ	cubic metre
MTR	metre
MTS	Metre per second A unit of speed expressed in metres per second.
MWH	megawatt hour (1000 kW.h)
NAR	number of articles

Used Codes

NEW	newton GS1 Description: The SI unit of force, equal to the force that would give a mass of one kilogram an acceleration of one metre per second.
NIU	number of international units A unit of count defining the number of international units.
NRL	number of rolls
ONZ	ounce GS1 Description: Ounce GB, US (28,349523 g)
OZA	fluid ounce (US) GS1 Description: Fluid ounce US (29,5735 cm ³)
OZI	fluid ounce (UK) GS1 Description: Fluid ounce UK (28,413 cm ³)
P1	percent GS1 Description: This code is used to indicate measurements in terms of percentages, e.g. the relative humidity (code RA in data element 6313) is 52%.
PA	packet
PAL	pascal GS1 Description: The SI unit of pressure, equal to one Newton per square metre.
PCE	Piece (GS1 Temporary Code)
PF	pallet (lift) GS1 Description: A number of articles expressed in terms of pallets.
PND	Pound (GS1 Temporary Code)
PR	pair GS1 Description: Two articles which belong together but are not necessarily identical.
PTI	pint (UK) GS1 Description: Pint UK (0,568262 dm ³)
PTN	Portion (GS1 Temporary Code) The identification of the number of portions (doses in medical terms) into which a complete product may be broken into for serving purposes, e.g. a pie with 6 portions, a liquid medicine with 20 doses.
QAN	quarter (of a year)
QTI	quart (UK) GS1 Description: Quart UK (1,1136523 dm ³)

Used Codes

RJH	Decanewton (GS1 Temporary Code) A unit of force equal to 10 Newton.
RPM	revolutions per minute
RTO	Ratio (GS1 Temporary Code)
SEC	second
SMI	Mile (statute mile) A unit of measure expressed in mile
SML	Square metre per litre (GS1 Temporary Code) Unit of measure expressed in square metre per litre.
ST	sheet
TNE	tonne (metric ton) GS1 Description: Metric ton (1000kg)
U2	tablet A unit of count defining the number of tablets (tablet: a small flat or compressed solid object). GS1 Description: Dosage form for pharmaceuticals, pressed or compacted from a powder into a solid dose.
UI	Unit of activity, predefined (GS1 Temporary Code) A measure pertaining to a predefined activity.
VI	vial GS1 Description: Small glass container. E.g. for a liquid medicine or perfume.
VLT	volt
WHR	watt hour
WRD	Word (GS1 Temporary Code) The specification of a word as a measurement unit, e.g. 21 words in a telex.
WTT	watt
YDK	Square yard A unit of measure expressed in square yard
YRD	yard GS1 Description: Yard (0,9144 m)
ZE	Milliampere hour (GS1 Temporary Code) A practical unit of quantity of electricity; the quantity that flows in one hour through a conductor carrying a current of 1 Ampere. 1 Ampere-hour is the equivalent to 36000 Coulombs.

Used Codes

ZP	page GS1 Description: The indication of a page as a measurement unit for invoicing purposes, e.g. fax pages.
7143	Item type identification code Coded identification of an item type.
IN	Buyer's item number The item number has been allocated by the buyer.
PZN	= Pharma Zentral Nummer (central allocated article number for pharma products)
SA	Supplier's article number Number assigned to an article by the supplier of that article.
SRV	GS1 Global Trade Item Number A unique number, up to 14-digits, assigned according to the numbering structure of the GS1 system. 'GS1' stands for the 'Global Standards One'.

Example

UNA:+.?'

The UNA segment contains the default service string characters.

UNB+UNOC:3+4012345000009:14:4012345000018+4000004000002:14:4000004000099+101013:1043+4711+REF:AA++++EANCOM+1'

The EANCOM file 4711 dated 13.10.2016, 10 h 43 is sent by the issuer identified with GLN 4012345000009 to the receiver identified with GLN 4000004000002.

UNH+ME000001+SLSRPT:D:01B:UN:EAN007'

The reference number of the SLSRPT message is ME000001.

BGM+73E+87441+9'

The document number is 87441.

DTM+137:20160823:102'

The document date is the 23th of August 2016.

DTM+90:20161201:102'

1th of December 2016 is the start date of the reporting period.

DTM+91:20161204:102'

4th of December 2016 is the end date of the reporting period.

DTM+356:2016080120160830:718'

The reporting period is 1th of August 2016 to 30th of August 2016.

NAD+SU+4089876511111::9'

The supplier is identified by GLN 4089876511111.

NAD+BY+4071615111110::9+:::X'

The buyer is identified by GLN 4071615111110.

RFF+GN:HRB-471111'

German statements on business letters: HRB-471111

CUX+2:EUR:11+3:USD:11+0.90243'

The basic currency is EURO.

LOC+162+5099104000221::9'

The removal location is identified by GLN 5099104000221.

DTM+356:20161201:102'

LIN+1++4056786542381:SRV'

The product for that sales are being reported is identified by GTIN 4056786542381.

PIA+5+1500549:PZN::246'

Only if LIN does not provide a GTIN: Articleidentification in PIA - in this case with the PZN

PIA+5+ADC157898:SA::91'

Only if LIN does not provide GTIN: Articleidentification in PIA

PIA+5+ADC157898:IN::91'

Only if LIN does not provide GTIN: Articleidentification in PIA

PIA+1+4545-54-44:IN::92'

The buyers article number is 4545-54-44.

PIA+1+2354-2:SA::91'

The suppliers article number is 2354-2.

RFF+BT:12-1222-3'

The batch number is 12-1222-3.

Example

RFF+SS:12-1444-3'

The Serial Number is 12-1444-3.

PRI+AAE:12.45::AP:1:KGM'

The retail price is 12,45.

QTY+153:24'

The current sold quantity is 24.

UNS+S'

Separation of detail- and summary section

UNT+24+ME000001'

The message contains 24 segments.

UNZ+1+4711'

The transmission file contains 1 message.
